



www.upcc.com.ph

seamless stainless steel

PIPE & TUBING



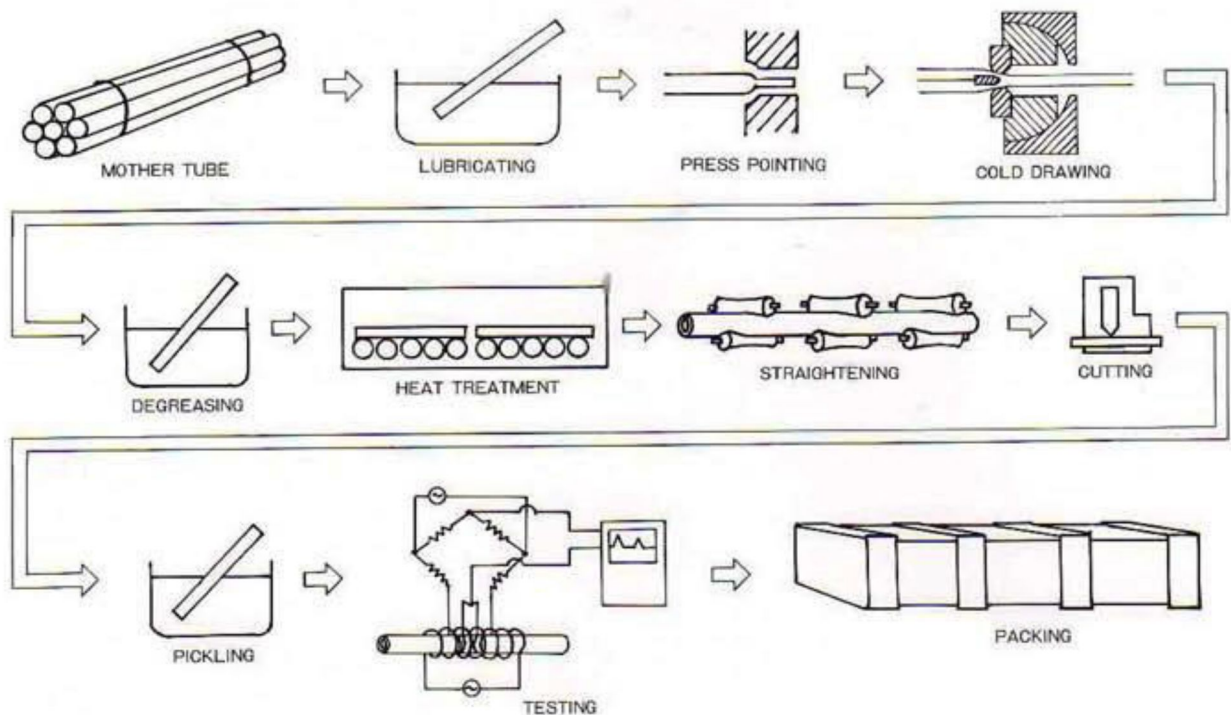
PRODUCTION RENGE

SEAMLESS COLD DRAWN STAINLESS STEEL PIPES & TUBINGS

W.T. in	mm	$\frac{1}{16}$						$\frac{1}{8}$						$\frac{1}{4}$										
		0.2-0.4	0.5	0.6	0.7	0.8	0.9	1.0	1.2	1.5	1.6	1.8	2.0	2.3	2.5	2.7	2.9	3.0	3.2	3.5	4.0	4.5		
O.D. in	2																							
	2.5																							
mm	3																							
	3.5																							
in	4																							
	4.5																							
mm	5																							
	5.5																							
in	6																							
	8																							
mm	10																							
	12.7																							
in	13.8																							
	15																							
mm	17.3																							
	20																							
in	21.7																							
	25.4																							

PRODUCTION PROCESS

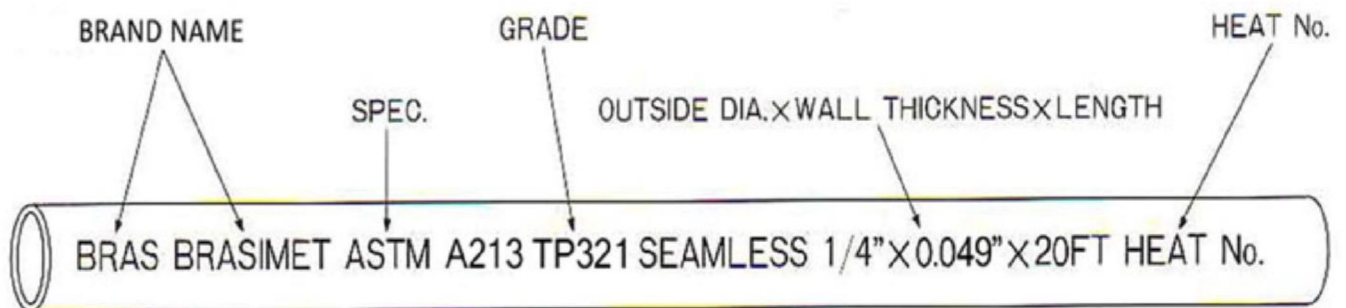
1) COLD DRAWN SEAMLESS STAINLESS STEEL PIPES AND TUBINGS



STOCK AVAILABILITY

STAINLESS STEEL TUBE SEAMLESS ASTM A213 TP321, PLAIN ENDS, COLD DRAWN, MIN. WALL, ANNEALED AND PICKLED	
1/4" X 0.049" X 20FT	20 PCS.
3/8" X 0.049" X 20FT	50 PCS.
1/2" X 0.049" X 20FT	80 PCS.
3/4" X 0.049" X 20FT	68 PCS.
5/8" X 0.049" X 20FT	30 PCS.
7/8" X 0.049" X 20FT	20 PCS.

STANDARD STENCIL MARK ON EACH PIPE & TUBING



The stencil mark is available for each pipe and tubing of outside diameter exceeding 7mm. Metal tags are attached to pipes and tubings of the lesser outside diameter instead of stencil mark.

In case customer have special request for stencil mark, please clarify on the contract.